



Boat Trailer Instructions

Covers Part #10350

Kit contents:

- Hitch Top
- Hitch Bottom
- Support posts, 17mm (8) (assembled to trailer)
- Support posts, 30mm (8) (assembled to trailer)
- Support posts, 37mm (8) (assembled to trailer)
- Support posts, 65mm (4)
- Support posts, 70mm (4)
- Support rails (8)

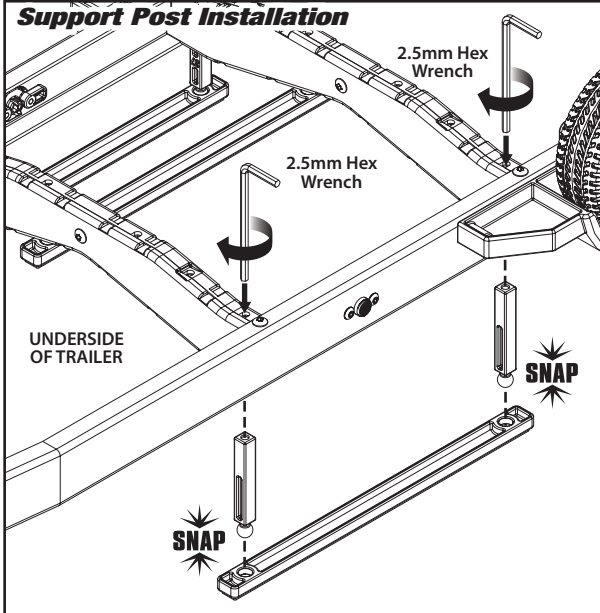
- Spartan Bow Hook
- M41 Bow Hook
- Double-sided adhesive tape (2)
- 3x0.5mm nylon locknut (1)
- 3x10mm cap screws (CS) (black stainless) (1)

- 3x12mm button-head cap screws (BCS) (black stainless) (2)
- 3x15mm button-head cap screws (BCS) (black stainless) (1)
- 3x18mm button-head cap screws (BCS) (black stainless) (1)

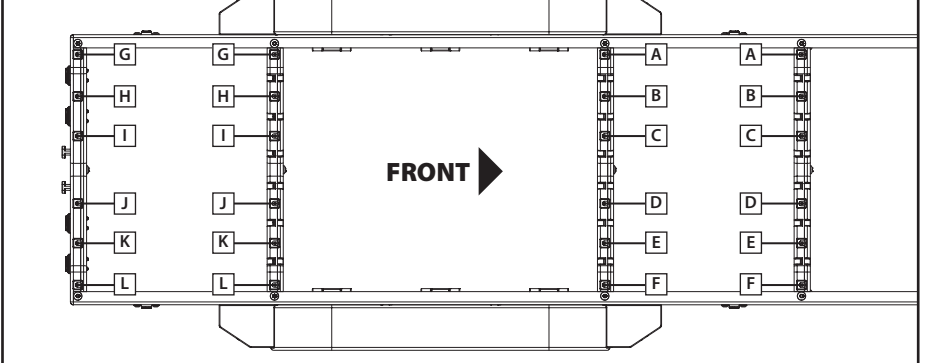
Tools required:

- 2.5mm hex wrench

Pro Tip: Remove the rudder before trailering your boat. This can prevent rudder damage on uneven or rough terrain.



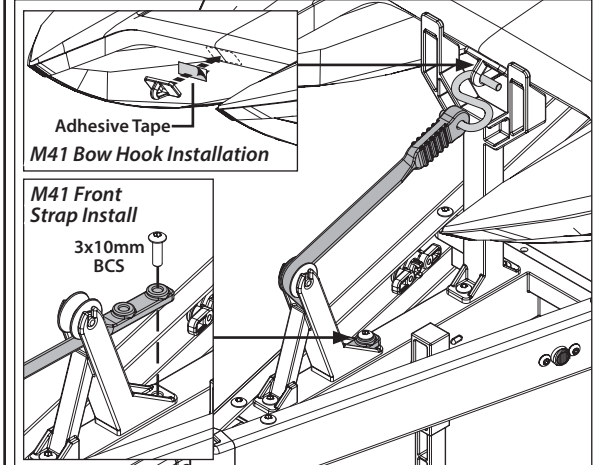
TOP VIEW OF TRAILER



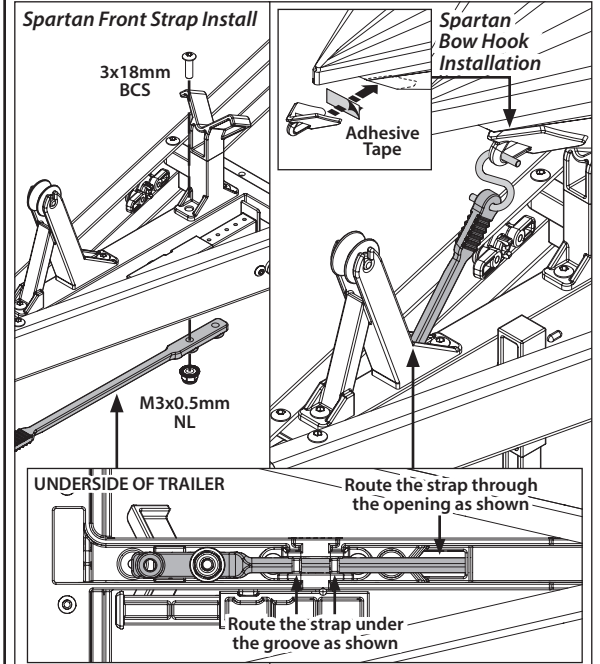
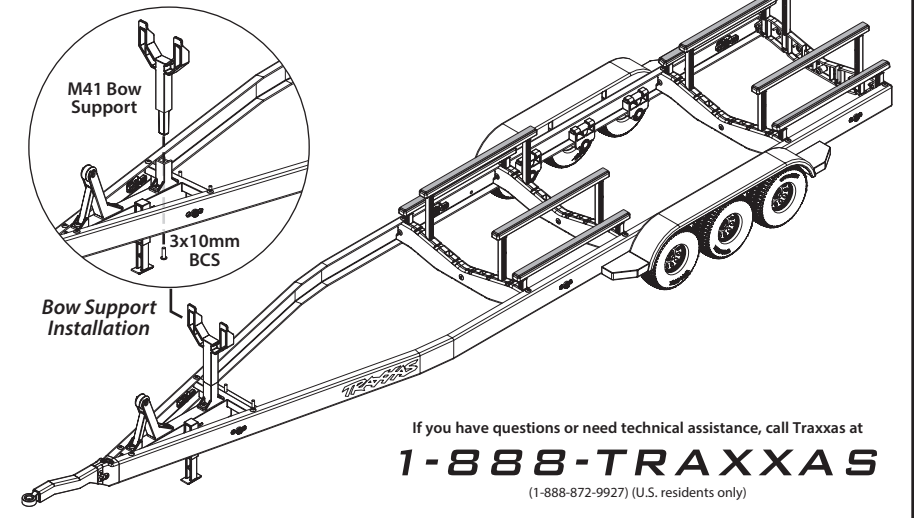
	Outer Support Post Length	Hole Positions				Inner Support Post Length	Hole Positions			
Spartan	37mm*	A	F	G	L	17mm*	C	D	I	J
M41	30mm*	A	F	G	L	70mm*	B		E	
						65mm*	H		K	

*length indicated on support posts

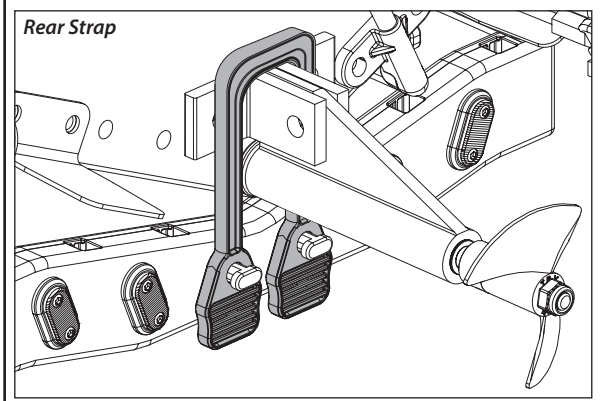
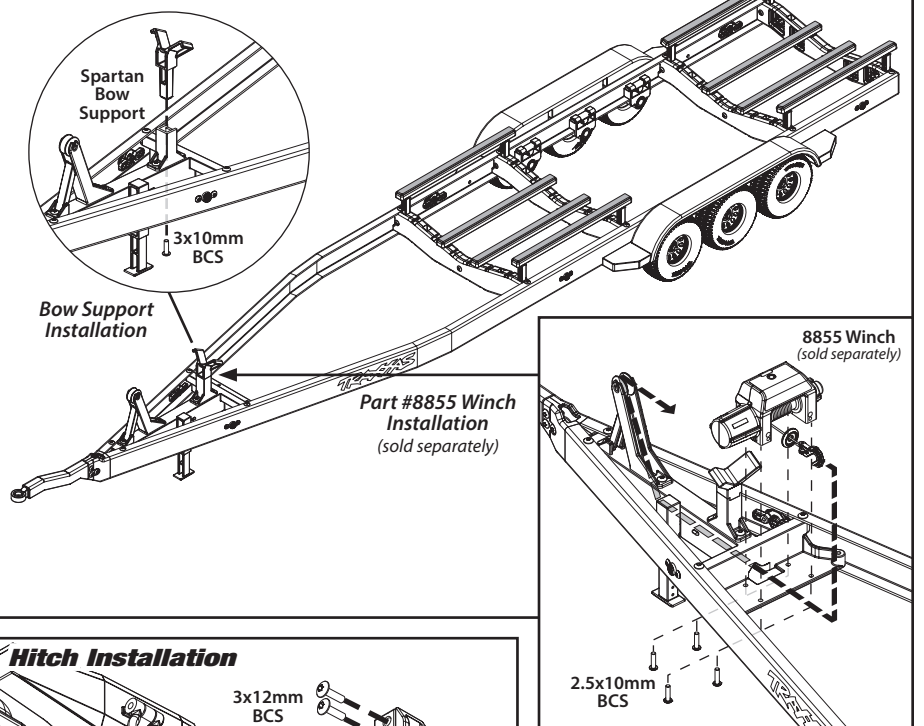
Securing the Boat



M41 Final Configuration



Spartan Final Configuration



Hitch Installation

